

TUSD05L4U

Low Capacitance TVS Diode Array

APPLICATIONS

- ◆ High Definition Multi-Media Interface (HDMI)
- ◆ Digital Visual Interface (DVI)
- ◆ Unified Display Interface (UDI)
- ◆ MDDI Ports
- ◆ PCI Express
- ◆ Serial ATA

IEC COMPATIBILITY

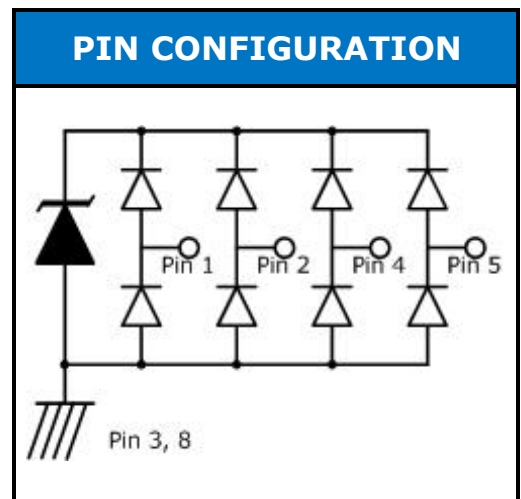
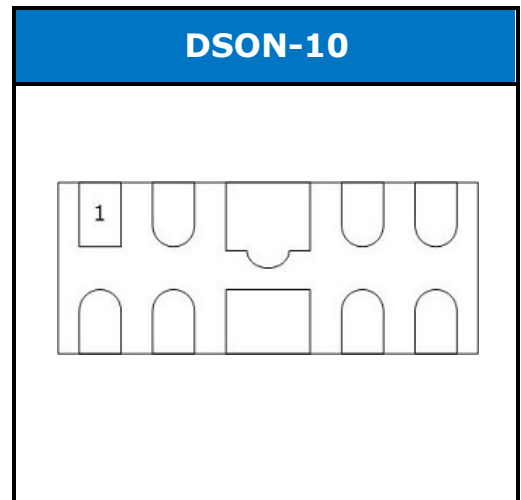
- ◆ IEC61000-4-2 (ESD) $\pm 15\text{kV}$ (air), $\pm 8\text{kV}$ (contact)
- ◆ IEC61000-4-4 (EFT) 40A (5/50 η s)
- ◆ IEC61000-4-5 (Lightning) 5A (8/20 μ s)

FEATURES

- ◆ 150 Watts Peak Pulse Power per Line ($t_p=8/20\mu\text{s}$)
- ◆ Protects two or four I/O lines
- ◆ Low capacitance: 0.3pF typical (I/O to I/O)
- ◆ Low operating voltage: 5V
- ◆ RoHS Compliant

MECHANICAL CHARACTERISTICS

- ◆ DSON-10 Package
- ◆ Molding Compound Flammability Rating : UL 94V-0
- ◆ Weight 15 Milligrams (Approximate)
- ◆ Quantity Per Reel : 3,000pcs
- ◆ Reel Size : 7 inch
- ◆ Lead Finish : Lead Free



TUSD05L4U

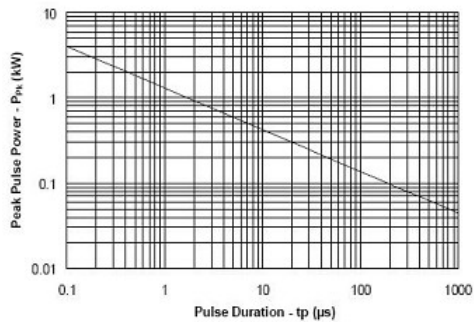
Low Capacitance TVS Diode Array

DEVICE CHARACTERISTICS

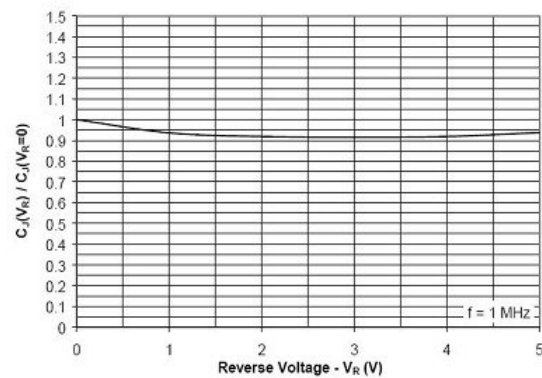
MAXIMUM RATINGS (@ 25°C Unless Otherwise Specified)			
PARAMETER	SYMBOL	VALUE	UNITS
Peak Pulse Power (tp=8/20μs waveform)	P _{PP}	150	Watts
Lead Soldering Temperature			
Operating Temperature Range	I _T T _J ^c	-55 ~ 150	°C
Storage Temperature Range	T _{STG}	-55 ~ 150	°C

ELECTRICAL CHARACTERISTICS PER LINE (@ 25°C Unless Otherwise Specified)									
PART NUMBER	DEVICE MARKING	V _{RWM}	V _B		@1A	V _C		I _R	C _T
		(V) (max.)	(V) (min.)			(mA)	(max.)	(@A)	(μA) (max.)
TUSD05L4U	P524	5	6.0	1	15	25	5	1	0.8

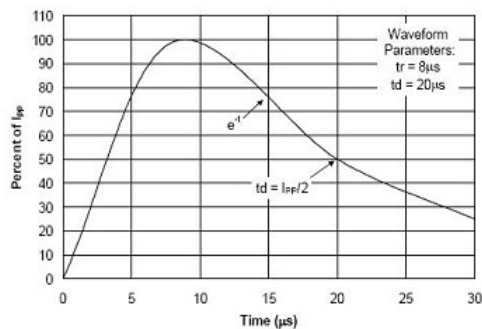
Non-Repetitive Peak Pulse Power vs. Pulse Time



Normalized Capacitance vs. Reverse Voltage



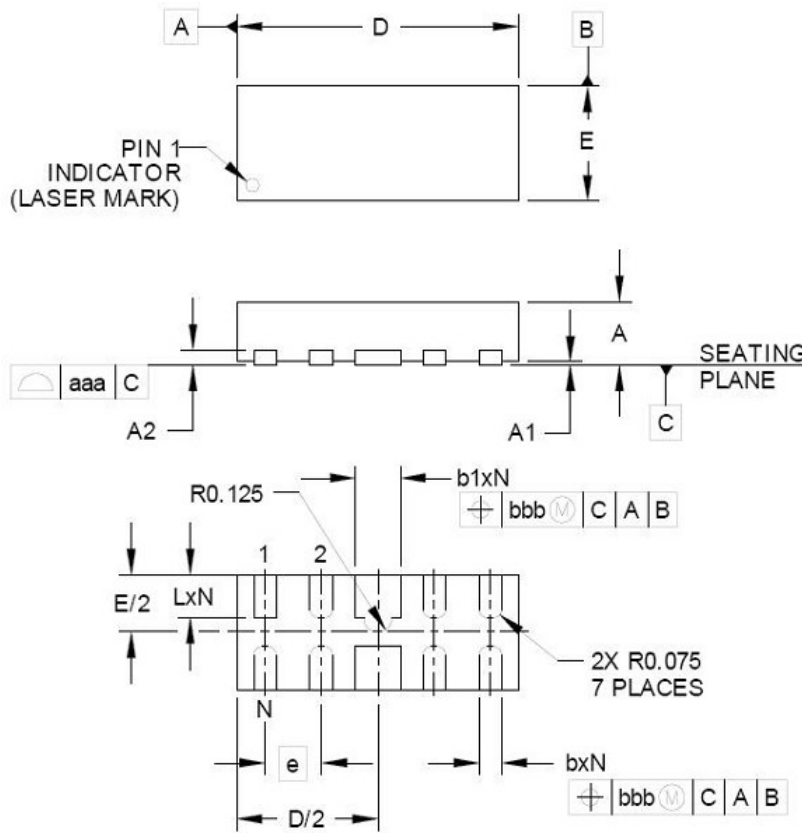
Pulse Waveform



TUSD05L4U

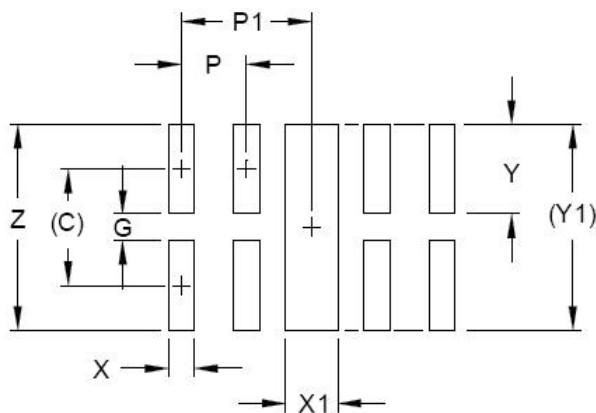
Low Capacitance TVS Diode Array

DSON-10 PACKAGE OUTLINE & DIMENSIONS



DIM	INCHES			MILLIMETERS		
	MIN	NOM	MAX	MIN	NOM	MAX
A	.020	.023	.026	0.50	0.58	0.65
A1	0.00	.001	.002	0.00	0.03	0.05
A2	(.005)			(0.13)		
b	.006	.008	.010	0.15	0.20	0.25
b1	.014	.016	.018	0.35	0.40	0.45
D	.094	.098	.102	2.40	2.50	2.60
E	.035	.039	.043	0.90	1.00	1.10
e	.020 BSC			0.50 BSC		
L	.012	.015	.017	0.30	0.38	0.425
N	10			10		
aaa	.003			0.08		
bbb	.004			0.10		

* SOLDERING FOOTPRINT



DIM	DIMENSIONS	
	INCHES	MILLIMETERS
C	(.034)	(0.875)
G	.008	0.20
P	.020	0.50
P1	.039	1.00
X	.008	0.20
X1	.016	0.40
Y	.027	0.675
Y1	(.061)	(1.55)
Z	.061	1.55